

GAS LAVA STONE GRILL TOP

LINE 700



Art.-Nr. 329211 / EAN 4064801002782 / Preis gemäß Preisliste

BASIC FEATURES:

- ✦ appliance body made of stainless steel
- ✦ 3 positions of grid tilt
- ✦ smooth adjustment of burner flame
- ✦ 800 mm wide grill with two separate cooking zones with independent burner flame control
- ✦ gas anti-outflow protection
- ✦ piezo-electric ignition
- ✦ removable waste drawer for cooking grease collection running down from grid and combustion chamber
- ✦ lava stones provided with appliance
- ✦ hair-joint connection system - perfectly smooth connection of units standing next to each other

OPTIONAL:

- ✦ GY7V001 left end plate
- ✦ GY7V002 right end plate
- ✦ GY7V004 grid "Z" for delicate meat and fish
- ✦ UM022456 adjustable feet



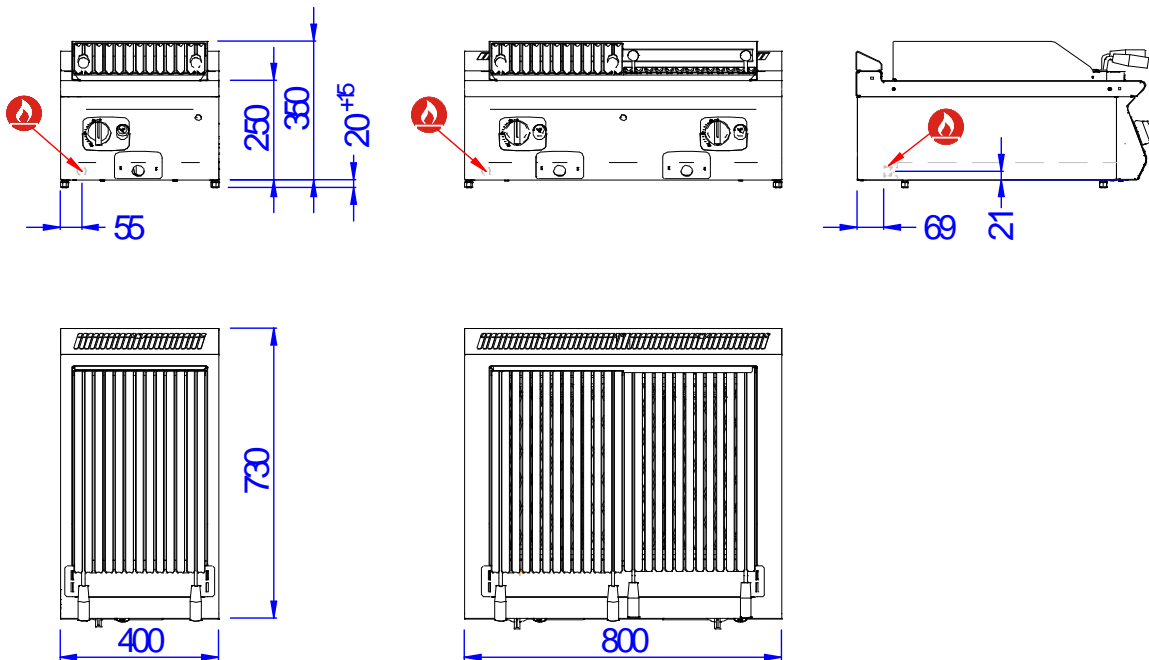
GL2000-040EV



GL2000-080EV

TECHNICAL DATA:

Model		GL2000-040EV	GL2000-080EV
Width	[mm]	400	800
Depth	[mm]	730	
Height	[mm]	250	
Working surface dimensions	[mm]	330 x 500	660 x 500
Gas type		G20; G25; G25.3; G2.350; G27; G30/G31	
Number of burners x power	[kW]	7,8	2 x 7,8
Total gas power	[kW]	7,8	15,6
Gas connection		R1/2"	



Work top appliances are designed to be set on GORT LINE 700 basis.
 In case of basis other than GORT LINE 700, adjustable feet (UM022456) required.